



JAPAN AUTOMOBILE FEDERATION

J A F 車 同 公 認
 公認分類: T-127
 公認番号: _____
 発効月日: 昭和 45年 2 月末日

F. I. A. Recognition No. _____
 Group II

1604

FEDERATION INTERNATIONALE DE L'AUTOMOBILE

Form of recognition in accordance with
 Appendix J to the International Sporting Code.

Manufacturer	Isuzu Motors Limited	Cylinder-capacity	1584 cm ³ 96.66 cu. in.
Serial No. of chassis	PR91W-4209488	Model	Isuzu PR91W (Bellett1600GTR)
engine	G161-100320	Manufacturer	Isuzu Motors Limited
Recognition is valid from	1/7/70	Manufacturer	Isuzu Motors Limited
		List	7017

The manufacturing of the model described in this recognition form was started on August 1969 and the minimum production of 500 identical cars, in accordance with the specifications of this form was reached on January 1970.

Photograph A, 3/4 view of car from front



The vehicle described in this form has been subject to the following amendments :

Variants

Normal evolution of the type

on	19	rec. No.	List
on	19	rec. No.	List
on	19	rec. No.	List
on	19	rec. No.	List
on	19	rec. No.	List

on	19	rec. No.	List
on	19	rec. No.	List
on	19	rec. No.	List
on	19	rec. No.	List
on	19	rec. No.	List

Stamp and signature of the National Sporting Authority



Stamp and signature of the F. I. A.

Handwritten signature and scribbles

Make ISUZU

Model PR91W

F. I. A. Rec. No.

IMPORTANT - the underlined items must be stated in two measuring systems, one of which must be the metric system. See conversion table hereafter.

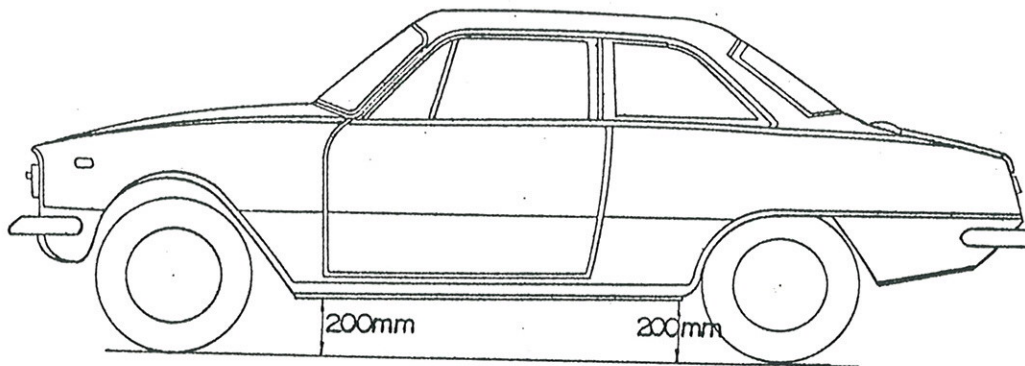
CAPACITIES AND DIMENSIONS

1. <u>Wheelbase</u>	2350	mm	92.5	inches
2. <u>Front track</u>	1260	mm	49.6	inches *
3. <u>Rear track</u>	1240	mm	48.8	inches *
4. Overall length of the car		401.5	cm	inches
5. Overall width of the car		149.5	cm	inches
6. Overall height of the car		132.5	cm	inches
7. <u>Capacity of fuel tank</u> (reserve included)				40 ltrs
	10.5	Gallon US		Gallon Imp.
8. Seating capacity	4			
9. <u>Weight</u> , total weight of the car with normal equipment, water, oil and spare wheel but without fuel nor repair tools:				
	920	kg	2030	lbs cwt

* Differences in track caused by the use of other wheels with different rim widths must be stated when recognition is requested for the wheels concerned.

Specify ground clearance in relation to the track and give drawing of two fixed points of the vehicle's structure at which measurements are taken.

These ground clearance dimensions are only for information when checking the track and can in no way affect the eligibility of the car.



CONVERSION TABLE

1 inch / pouce	--	2.54 cm	1 quart US	--	0.9464 ltrs
1 foot / pied	--	30.4794 cm	1 pint (pt)	--	0.568 ltrs
1 square inch / pouce carré	--	6.452 cm ²	1 gallon Imp.	--	4.546 ltrs
1 cubic inch / pouce cube	--	16.387 cm ³	1 gallon US	--	3.785 ltrs
1 pound / livre (lb)	--	453.593 gr.	1 hundred weight (cwt)	--	50.802 kg



Make ISUZU

Model PR91W

1604
F.I.A. N

CHASSIS AND COACHWORK (Photographs A, B and C)

20. Chassis/body construction : ~~XXXXXX~~ / unitary construction
21. Unitary construction, material (s) **Steel**
Separate construction
22. Separate Constructions: Material (s) of chassis
23. Material (s) of coachwork
24. Number of doors **2** Material (s) **Steel**
25. Material (s) of bonnet **Steel**
26. Material (s) of boot lid **Steel**
27. Material (s) of rear-window **Glass**
28. Material (s) of windscreen **Glass**
29. Material (s) of front-door windows **Glass**
30. Material (s) of rear-door windows
31. Sliding system of door windows **Vertical, Manual**
32. Material (s) of rear-quarter light **Glass**

ACCESSORIES AND UPHOLSTERY

38. Interior heating : ~~yes~~ - no
39. Air-conditioning : ~~yes~~ - no
40. Ventilation : yes - ~~yes~~
41. Front seats, type of seats and upholstery **Separate, Vinyl**
42. Weight of front seat (s), complete with supports and rails, out of the car :
12.5 kg x 2 lbs
43. Rear seats, type of seats and upholstery **Bench, Vinyl**
44. Front bumper, material (s) **Steel** Weight **5.2 kg** lbs
45. Rear bumper, material (s) **Steel** Weight **6.0 kg** lbs

WHEELS

50. Type **Pressed steel**
51. Weight (per wheel, without tyre) **6.8 kg** lbs.
52. Method of attachment **4 nuts**
53. Rim diameter **330.2 mm** **13.0 inches**
54. Rim width **114.3 mm** **4.5 inches**

STEERING

60. Type **Rack and pinion**
61. Servo-assistance : ~~yes~~ - no
62. Number of turns of steering wheel from lock to lock **2.9**
63. In case of servo-assistance



SUSPENSION

- 70. Front suspension (photogr. D), type Independent, Wishbone
- 71. Type of spring Coil
- 72. Stabiliser (if fitted) Torsion bar
- 73. Number of shockabsorbers 2
- 74. Type Hydraulic telescopic
- 78. Rear suspension (photogr. E), type Independent, ~~Diagonal Link~~ swing axle
- 79. Type of spring Coil and Transverse Leaf
- 80. Stabiliser (if fitted)
- 81. Number of shockabsorbers 2
- 82. Type Hydraulic telescopic

BRAKES (photographs F and G)

- 90. System Hydraulic
- 91. Servo-assistance (if fitted), type Vacuum
- 92. Number of hydraulic master cylinders 2

	FRONT		REAR	
93. Number of cylinders per wheel	2		1	
94. Bore of wheel cylinder (s)	57.2 mm	in.	22.2 mm	in.
Drum brakes				
95. Inside diameter	mm	in.	203.2 mm	in.
96. Length of brake linings	mm	in.	195.0 mm	in.
97. Width of brake linings	mm	in.	37.1 mm	in.
98. Number of shoes per brake			2	
99. Total area per brake	mm ²	sq. in.	14,430 mm ²	sq. in.
Disc brakes				
100. Outside diameter	237 mm	in.	mm	in.
101. Thickness of disc	10 mm	in.	mm	in.
102. Length of brake linings	60 mm	in.	mm	in.
103. Width of brake linings	45 mm	in.	mm	in.
104. Number of pads per brake.	2			
105. Total area per brake	5,400 mm ²	sq. in.	mm ²	sq. in.



Make ISUZU

Model PR91W

F.I.A. Rec. No.

ENGINE (photographs J and K)

- 130. Cycle 4
- 131. Number of cylinders 4
- 132. Cylinder arrangement In line
- 133. Bore 82 mm 3.228 in. 134. Stroke 75 mm 2.953 in.
- 135. Capacity per cylinder 396 cm³ 24.17 cu. in.
- 136. Total cylinder-capacity 1584 cm³ 96.68 cu. in.
- 137. Material (s) of cylinder block Cast Iron
- 138. Material (s) of sleeves (if fitted)
- 139. Cylinder-head, material (s) Aluminum Number fitted 1
- 140. Number of inlet ports 4
- 141. Number of exhaust ports 4
- 142. Compression ratio 10.3
- 143. Volume of one combustion chamber 42.6 cm³ cu. in.
- 144. Piston, material Aluminum 145. Number of rings 3
- 146. Distance from gudgeon pin centre line to highest point of piston crown 53 mm inches
- 147. Crankshaft : ~~welded~~ / stamped 148. Type of crankshaft : integral ~~XXXXX~~
- 149. Number of crankshaft main bearings 5
- 150. Material of bearing cap Cast Iron
- 151. System of lubrication : ~~dry sump~~ / oil in sump
- 152. Capacity, lubricant 5.5 ltrs pts quarts US
- 153. Oil cooler : ~~yes~~ / no
- 154. Method of engine cooling Water
- 155. Capacity of cooling system 6.5 ltrs pints quarts US
- 156. Cooling fan (if fitted), dia. 32 cm inches
- 157. Number of blades of cooling fan 4

Bearings

- 158. Crankshaft main, type Plain Dia. 56 mm in.
- 159. Connecting rod big end, Plain Dia. 49 mm in.

Weights

- 160. Flywheel (clean) 6.0 kg lbs
- 161. Flywheel with clutch (all turning parts) 11.1 kg lbs
- 162. Crankshaft 15.3 kg lbs
- 163. Connecting rod 0.59 kg lbs
- 164. Piston with rings and pin 0.68 kg lbs



Make ISUZU

Model PR91W

1604
F. I. A. Rec. No.

FOUR STROKE ENGINES

- 170. Number of camshafts 2 171. Location Cylinder head
- 172. Type of camshaft drive Chain drive
- 173. Type of valve operation Direct

INLET (see page 8) *

- 180. Material(s) of inlet manifold Aluminum
- 181. Diameter of valves 41.5 mm 1.634 inches
- 182. Max. valve lift 9.7 mm 0.382 in. 183. Number of valve springs 2
- 184. Type of spring Coil 185. Number of valves per cylinder 1
- 186. Tappet clearance for checking timing (cold) 0.13 mm inches
- 187. Valves open at (with tolerance for tappet clearance indicated) B.T.D.C. 40° ± 3°
- 188. Valves close at (with tolerance for tappet clearance indicated) A.B.D.C. 44° ± 3°
- 189. Air filter, type Dry

EXHAUST (see page 8)

- 195. Material (s) of exhaust manifold Steel
- 196. Diameter of valves 37.5 mm 1.476 inches
- 197. Max. valve lift 9.7 mm 0.382 in. 198. Number of valve springs 2
- 199. Type of spring Coil 200. Number of valves per cylinder 1
- 201. Tappet clearance for checking timing (cold) 0.23 mm inches
- 202. Valves open at (with tolerance for tappet clearance indicated) B.B.D.C 57° ± 3°
- 203. Valves close at (with tolerance for tappet clearance indicated) A.T.D.C 15° ± 3°

CARBURETION (photograph N)

- 210. Number of carburetors fitted 2 211. Type Side draught (Solex)
- 212. Make Mikuni 213. Model N4OPHH
- 214. Number of mixture passages per carburetor 2
- 215. Flange hole diameter of exit port(s) of carburetor 40 mm in.
- 216. Minimum dimensions of mixture passage (s) ~~40 mm~~ 30 mm inches

INJECTION (if fitted)

- 220. Make of pump 221. Number of plungers
- 222. Model or type of pump 223. Total number of injectors
- 224. Location of injectors
- 225. Minimum diameter of inlet pipe mm inches

*) for additional information concerning two-stroke engines and super-charged engines see page 13.



Make ISUZU

Model PR91W

1604
F. I. A. Rec. No.

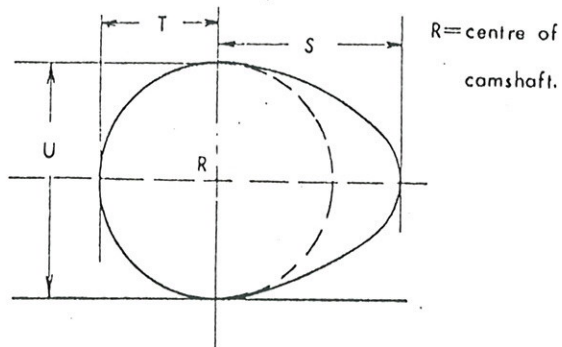
ENGINE ACCESSORIES

- 230. Fuel pump : mechanical ~~type XXXXXXXXXX~~
- 231. No. fitted 1
- 232. Type of ignition system **Make and break**
- 233. No. of distributors 1
- 234. No. of ignition coils 1
- 235. No. of spark plugs per cylinder 1
- 236. Generator, type ~~XXXXXX~~/alternator-number fitted 1
- 237. Method of drive **V belt**
- 238. Voltage of generator 12 volts
- 239. Battery, number 1
- 240. location **Engine room**
- 241. Voltage of battery 12 volts

ENGINE AND CAR PERFORMANCES (as declared by manufacturer in catalogue)

- 250. Max. engine output 120 PS (type of horsepower: JIS) at 6400 rpm
- 251. Maximum rpm 7000 output at that figure 116 PS
- 252. Maximum torque 14.5 kg-m at 5000 rpm
- 253. Maximum speed of the car 200 km/hour miles / hour

255.



Inlet cam

s = 26.0	mm	1.024	inches
T = 16.0	mm	0.630	inches
U = 32.0	mm	1.260	inches

Exhaust cam

s = 26.0	mm	1.024	inches
T = 16.0	mm	0.630	inches
U = 32.0	mm	1.260	inches

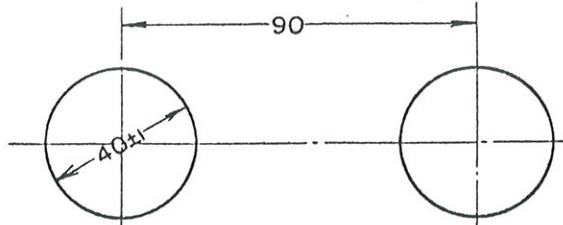


Make ISUZU

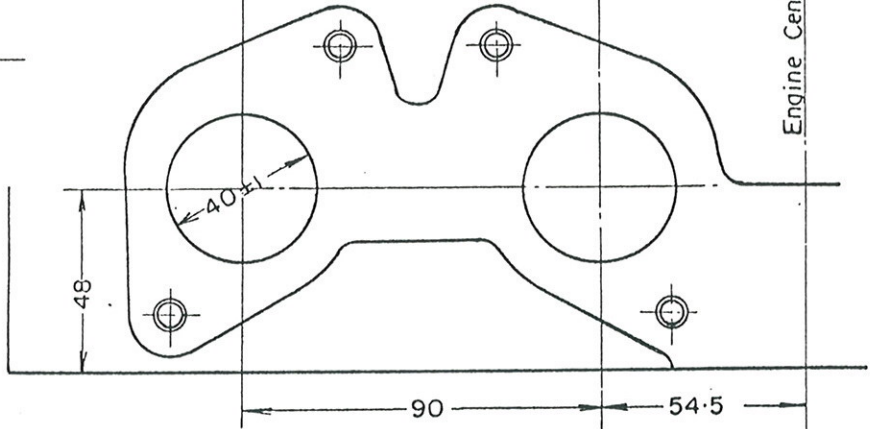
Model PR91W

1604
F. I. A. Rec. No.

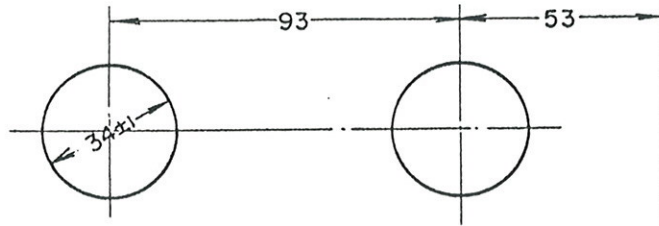
Drawing inlet manifold ports, side of cylinder-head. Indicate scale or dimensions and manufacturing tolerance.



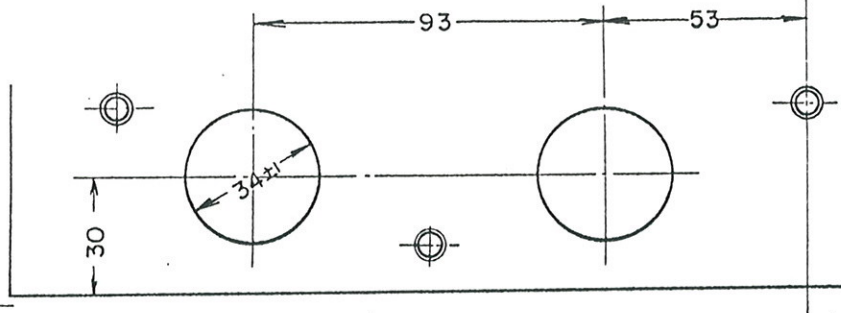
Drawing of entrance to inlet port of cylinder-head. Indicate scale or dimensions and manufacturing tolerance.



Drawing exhaust manifold ports, side of cylinder-head. Indicate scale or dimensions and manufacturing tolerance.



Drawing of exit to exhaust port of cylinderhead. Indicate scale or dimensions and manufacturing tolerance.



Unit: mm



Make ISUZU

Model PR91W

1604
F. I. A. Rec. No.

DRIVE TRAIN

CLUTCH

- 260. Type of clutch **Dry Plate** 261. No. of plates **1**
- 262. Dia. of clutch plates **20.3** cm inches
- 263. Dia. of linings, inside **14.6** cm in. outside **20.3** cm in.
- 264. Method of operating clutch **Mechanical**

GEAR BOX (photograph H)

- 270. Manual type, make **ISUZU** Method of operation **Mechanical**
- 271. No. of gear-box ratios forward **4** 272. Synchronized forward ratios **1,2,3 & 4**
- 273. Location of gear-shift **Floor**
- 274. Automatic, make type
- 275. No. of forward ratios 276. Location of gear-shift

277.	Manual		Automatic		Alternative manual/automatic			
	Ratio	No. teeth	Ratio	No. teeth	Ratio	No. teeth	Ratio	No. teeth
1	3.467	$\frac{28}{19} \times \frac{40}{17}$			2.487	$\frac{27}{20} \times \frac{35}{19}$		
2	1.989	$\frac{28}{19} \times \frac{27}{20}$			1.671	$\frac{27}{20} \times \frac{26}{21}$		
3	1.356	$\frac{28}{19} \times \frac{23}{25}$			1.242	$\frac{27}{20} \times \frac{23}{25}$		
4	1.000				1.000			
5								
6								
reverse	3.592	$\frac{28}{19} \times \frac{39}{16}$			3.291	$\frac{27}{20} \times \frac{39}{16}$		

- 278. Overdrive, type
- 279. Forward gears on which overdrive can be selected
- 280. Overdrive ratio

FINAL DRIVE

- 290. Type of final drive **Hypoid gear**
- 291. Type of differential **Bevel gear**
- 292. Type of limited slip differential (if fitted) ~~Mechanical~~ **Friction**
- 293. Final drive ratio **3.727, 4, 100**
- Number of teeth **41/11, 41/10**



Make ISUZU

Model PR91W

F. I. A. Rec. No. 1604

IMPORTANT - The conformity of the car with the following items of the present recognition form is to be disregarded during the scrutineering, when the vehicle has been entered in group 2 (Touring cars) or 3 (Grand Touring cars) : 41, 72, 80, 91, 142, 143, 144, 145, 146, 153, 156, 157, 160, 161, 162, 163, 164, 182, 184, 186, 187, 188, 189, 199, 201, 202, 203, 212, 213, 215, 216, 222, 225, 230, 250, 251, 252, 253, and photographs I, M, N, and page 8

During the scrutineering of cars entered in group 4 (Sportscars) only the following items of the present recognition form are to be taken into consideration : 1, 2, 3, 9, 20, 21, 22, 23, 24, 25, 26, 70, 71, 78, 79, 90, 130, 131, 132, 133, 134, 135, 136, 137, 138, 139, 140, 141, 147, 148, 149, 150, 158, 159, 170, 171, 172, 173, 185, 200, 270, 271, 274, 275, 290, 291, 292 and photographs A, B, D, E, F, G, H, J, K, and O.

Optional equipment affecting preceding information. This to be stated together with reference number.



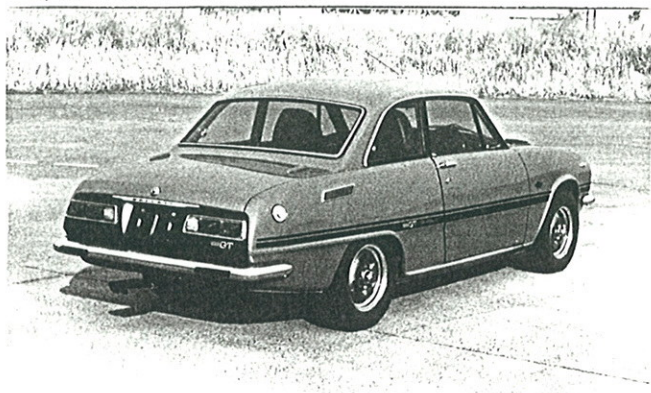
Make *15115V*

Model *PR 91W*

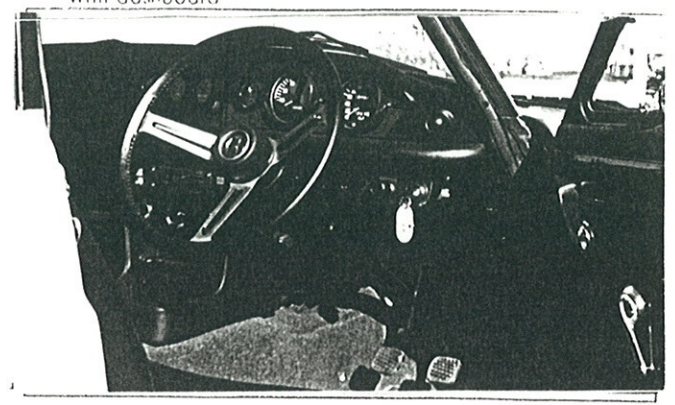
F. I. A. Rec. No.

Photograph

B, 3/4 view of car from rear

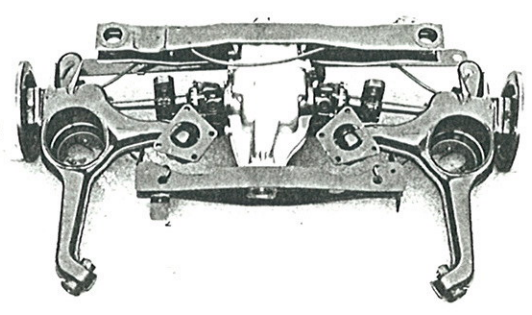
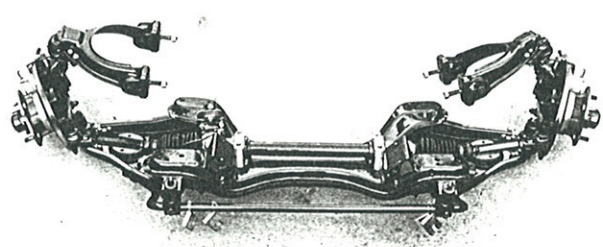


C, interior view of car through driver's door (open or removed) with dashboard



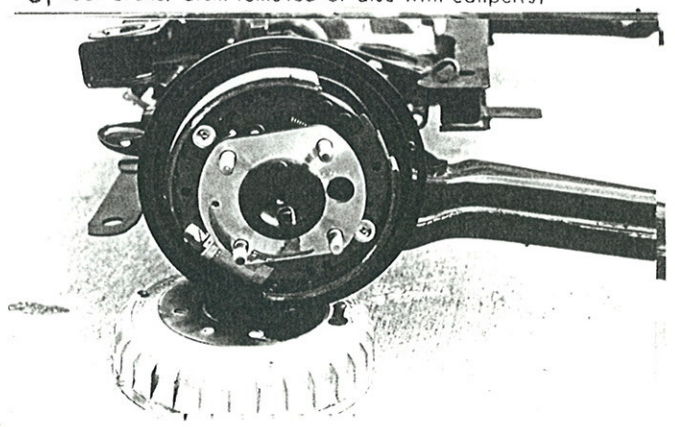
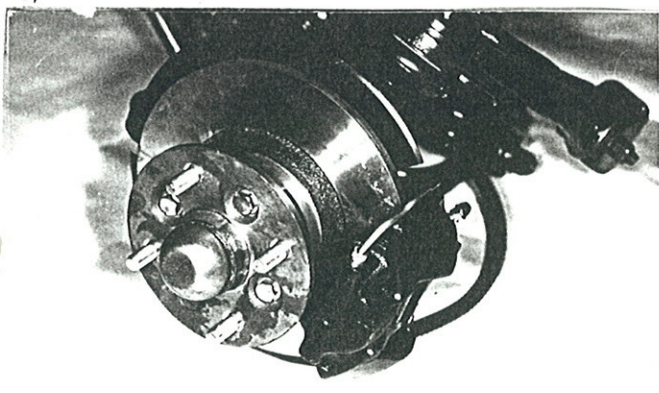
D, front axle complete, removed from car. Without wheels.

E, Rear axle complete without wheels, removed from car.



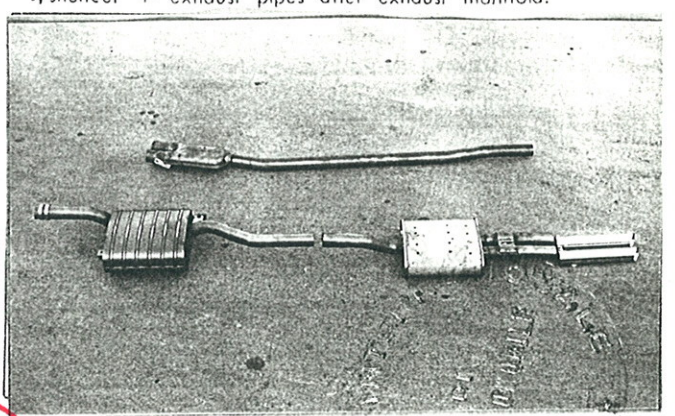
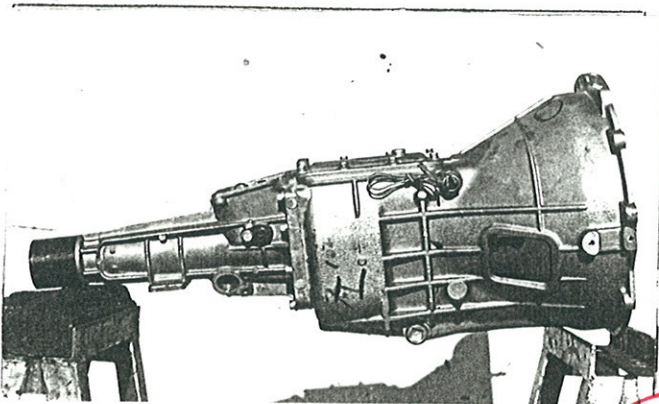
F, front brake, drum removed or disc with caliper(s)

G, rear brake, drum removed or disc with caliper(s)



H, gear-box, view from side

I, silencer + exhaust pipes after exhaust manifold.



1604

Make

Model

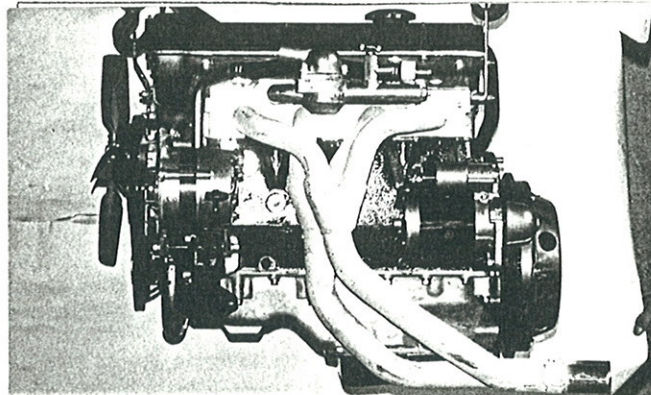
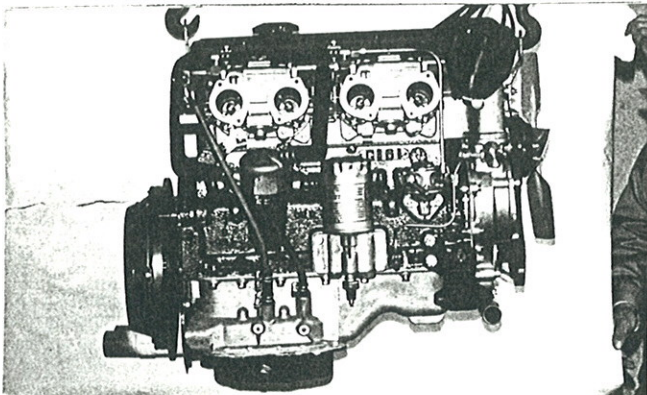
PR914

F.I.A. Rec. No

Photograph

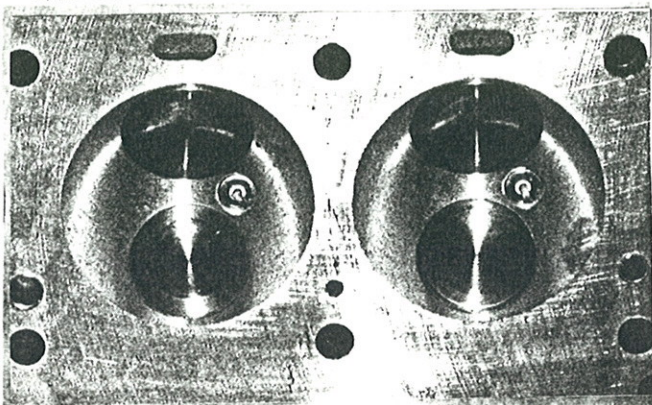
engine unit out of car, from right. With clutch and accessories but without air filter nor gear-box.

Engine unit out of car, from left. With clutch and accessories but without gear-box nor air filter.



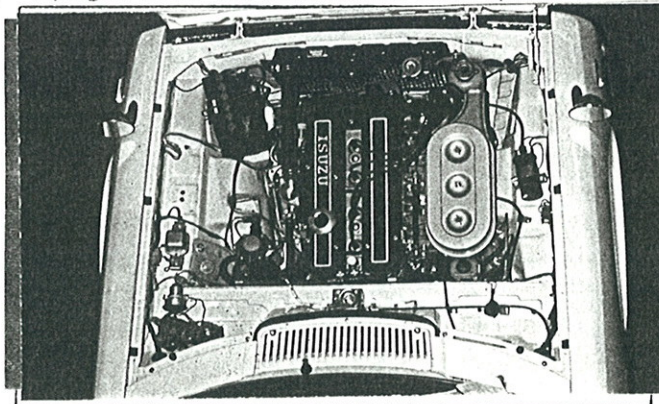
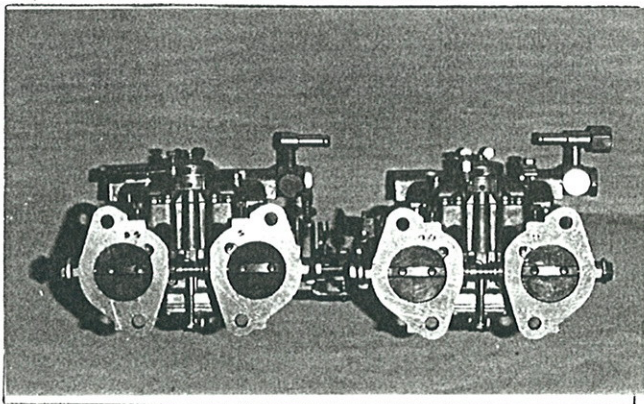
L, combustion chamber

M, piston crown



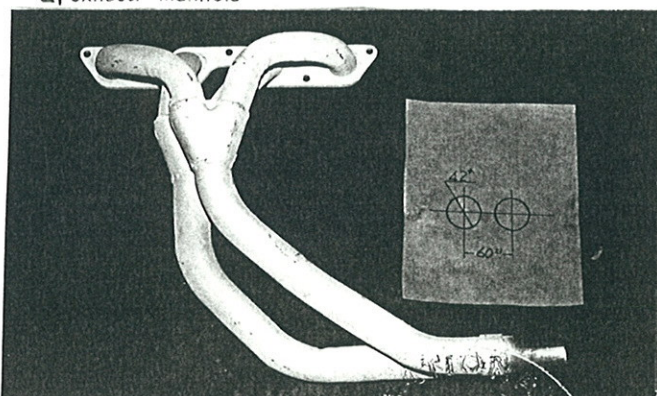
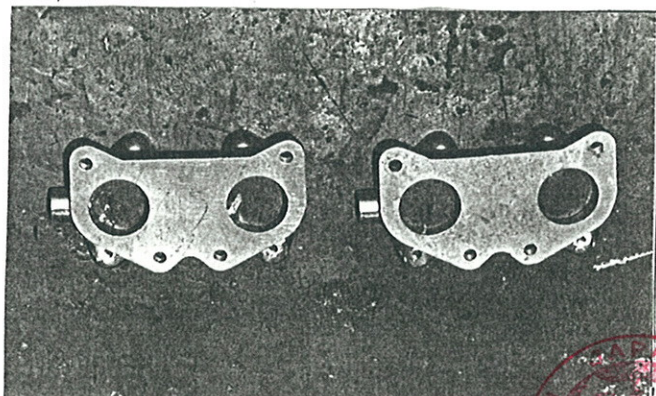
N, Carburettor (view from side of manifold)

O, engine in car with all accessories, bonnet open or removed.



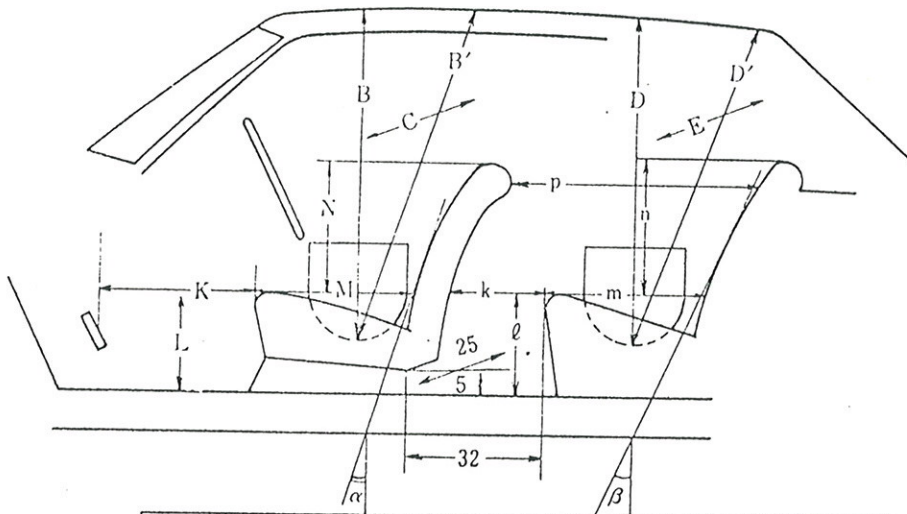
P, inlet manifold

Q, exhaust manifold



DIMENSIONS OF INTERIOR
(Conform to Art. 253 b of Appendix J)

For four seaters :



Minimum Dimensions (cm)							
B	B'	α	C	D	D'	β	E
89	93	15°	123	87	86	10°	120

Minimum Dimensions (cm)										
L	ℓ	M	m	N	n	k+m	p	k	k+l+m	K+L+M
28	29	46	45	45	38	66.5	57	21.5	95.5	121
0.9L = 25.2		0.85M = 39.1		0.8N = 36		0.8(k+m) = 53.2		(15)	(95)	(120)



Make ISUZU

Model PR91W

1604
F. I. A. Rec. No.

TWO STROKE ENGINES

- 300. System of cylinder scavenging
- 301. Type of lubrication
- 302. Inlet ports, length measured around cylinder wall mm inches
- 303. Height inlet port mm in. 304. Area mm² sq. in.
- 305. Exhaust ports, length measured around cylinder wall mm inches
- 306. Height exhaust port mm in. 307. Area mm² sq. in.
- 308. Transfer port, length measured around cylinder wall mm inches
- 309. Height transfer port mm in. 310. Area. mm² sq. in.
- 311. Piston ports, length measured around piston mm inches
- 312. Height piston port mm in. 313. Area mm² sq. in.
- 314. Method of precompression 315. Precompression cyl. : yes /no
- 316. Bore mm inches 317. Stroke mm inches
- 318. Distance from top of cyl. block to highest point of exhaust port : mm inches
- 319. Distance from top of cyl. block to lowest point of inlet port : mm inches
- 320. Distance from top of cyl. block to highest point of transfer port : mm inches
- 321. Drawing of cylinder ports.

330. Supercharging—state full details hereafter :

JAPAN AUTOMOBILE FEDERATION

難波靖治

Yasuharu Nanba





JAPAN AUTOMOBILE FEDERATION

社団法人 日本自動車連盟

J.A.F.公認番号 T-127E-2

発効年月日 47. 4. 30

F. I. A. Homol. No 1604

1/1E

FEDERATION INTERNATIONALE DE L'AUTOMOBILE

Form of recognition accordance with Appendix J to the International Sporting Code.

国際スポーツ法典付則J項及びJAF国内競技車両規則に従った公認書式。

Make Isuzu Motors Limited
製造会社名

Modification's application starts with serial No. Model Isuzu PR91W (Bellett 1600 GTR)
型式及び通称名

Application of this amendment started the October, 1971
適用年月日

Commercial denomination after application of modifications Bellett 1600 GTR

The modifications are to be considered as: ~~X~~mix/ normal evolution of the type
~~X~~正常進化

Date amendment is valid from List

Description of amendment 内容

1. Radiator Grill
2. Head Lamp Rim
3. Rear Combination Lamp

Photograph A, 3/4 view of car from front



Stamp and signature of the JAF

JAF公認印及び署名

三井平八郎

Heihachiro Mitsui



Stamp and signature of the F.I.A.

Handwritten signature and a circular stamp of the F.I.A.

Make Isuzu

Model PR91W
型式

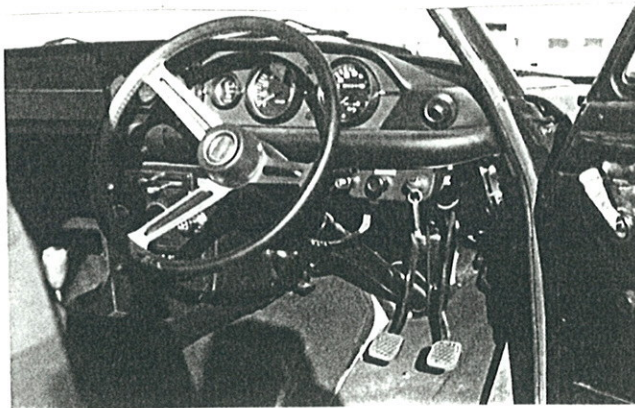
J.A.F.公認番号 T-127E-2

F.I.A. Rec. No. 1604

B, 3/4 view of car from rear



C, Interior view of car through driver's door (open or removed)
with dashboard





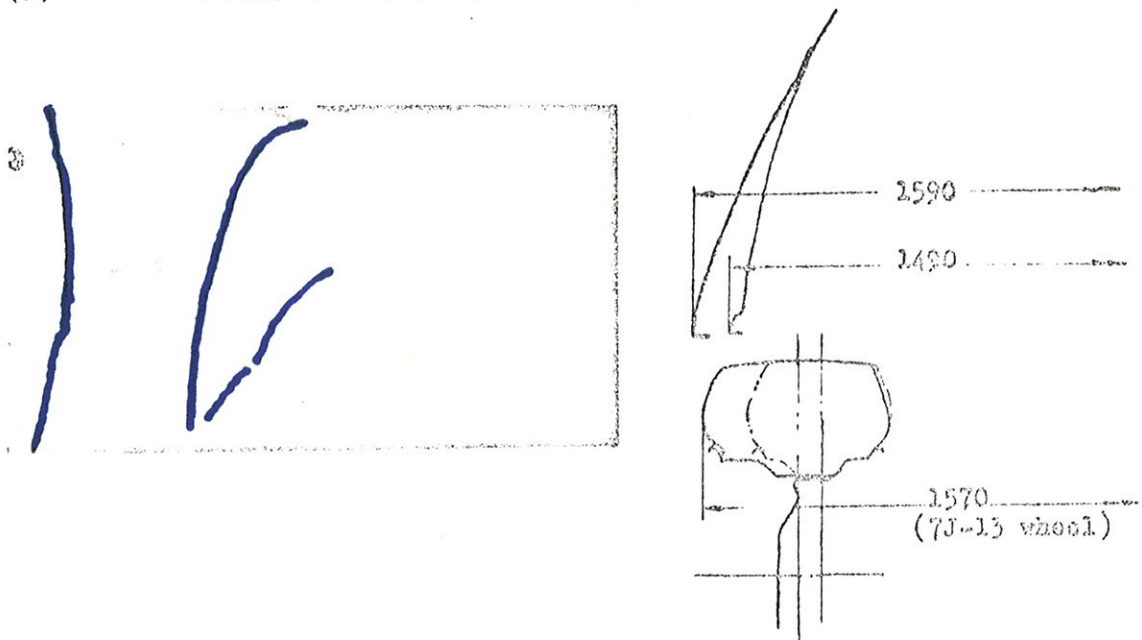
CABLE ADDRESS:
ISUZU TOKYO
TEL. TOKYO 7421 1111
ISUZU EXPORT TOKYO

ISUZU MOTORS LIMITED

22-10 Minami-oi 6-chome, Shinogawa-ku, Tokyo, Japan
 FACTORIES: KAWASAKI, TSURUMI, SUEYOSHI & FUJISAWA

MAIN PRODUCTS:
 TRUCKS, BUSES, CARS,
 ALL-WHEEL DRIVE VEHICLES,
 DUMP TRUCKS, PLOW ENGINES,
 OTHER SPECIAL PURPOSE VEHICLES
 AND DIESEL ENGINE UNITS
 FOR ALL PURPOSES

(3) Rear wing extension: plastic material





JAPAN AUTOMOBILE FEDERATION F.I.A. Homol. No.

J A F 車両公認
 公認分類: 7-7-2
 公認番号: T-127
 発効月日: 昭和 45 年 2 月 1 日

FEDERATION INTERNATIONALE DE L'AUTOMOBILE

Amendment to Form of Recognition
in accordance with the International
Sporting Code

Make ISUZU

Model PR91W

Modification's application starts with serial

No. chassis PR91-4209488

engine G161-100320

Application of this amendment started the February, 1970

Commercial denomination after application of modifications

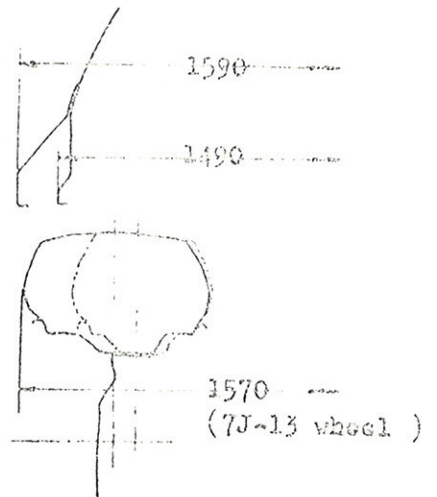
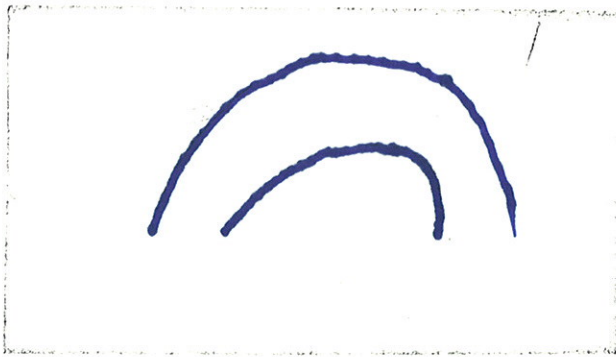
The modifications are to be considered as Variant ~~EXERCISE~~ of the type

Date amendment is valid from List

Description of amendment

Optional equipment

- (1) Wide rim wheels: 6J-13 (steel), 6J-13 (magnesium)
7J-13 (steel), 7J-13 (magnesium)
- (2) Front wing extension: plastic material



Stamp and signature of
National Sporting Authority

Stamp and signature of F.I.A.

JAPAN AUTOMOBILE FEDERATION

庭山博史
Hiroshi Niwayama